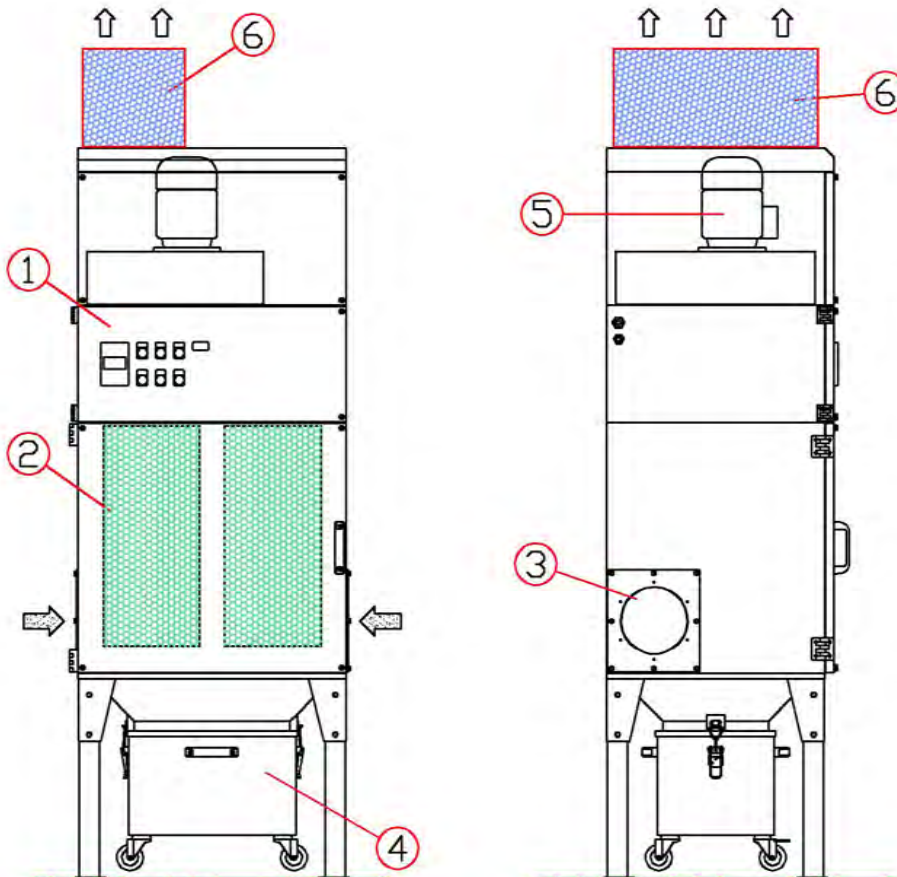
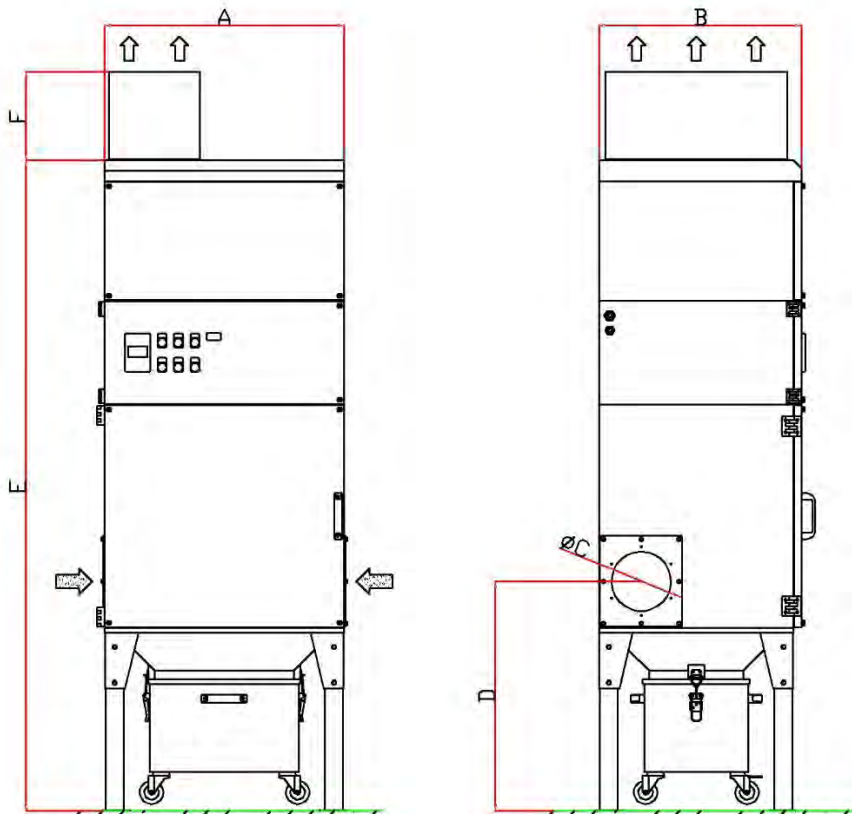


Internal structure dust cleaner AP.C series



POS.	DESCRIPTION
1	Control and alarms panel
2	Access hatch to the dedusting chamber + filtering cartridges
3	Suction mouth
4	Dust collecting bin with wheels
5	IE3 three-phase low-consumption engine + centrifugal high-performance electric ventilator
6	OPTIONAL Final postfilter PH series with high filtration surface (filtration class H13 HEPA)

Dimensions dust cleaner AP.C series



MODEL	WEIGHT KG	A	B	C	D	E	F
AP.C 2000	200	800	680	∅ 200	775	2185	300
AP.C 3000	220	800	680	∅ 220	775	2525	300
AP.C 6000	440	1610	700	∅ 220	775	2800	300

*Dimensions expressed in millimeters. Data and characteristics can be modified without warning.