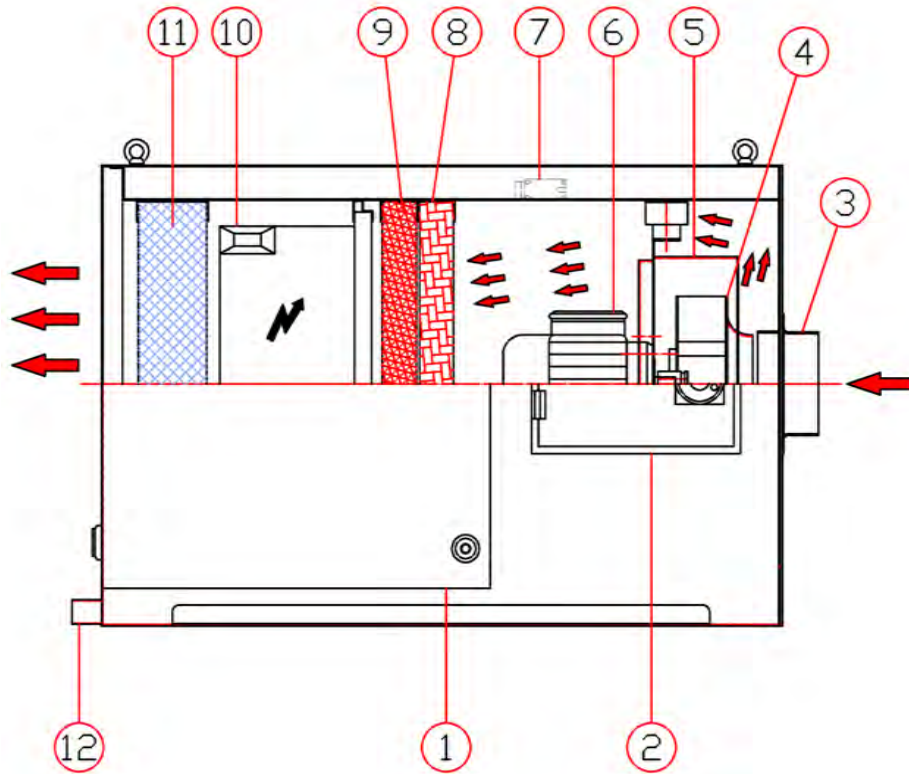
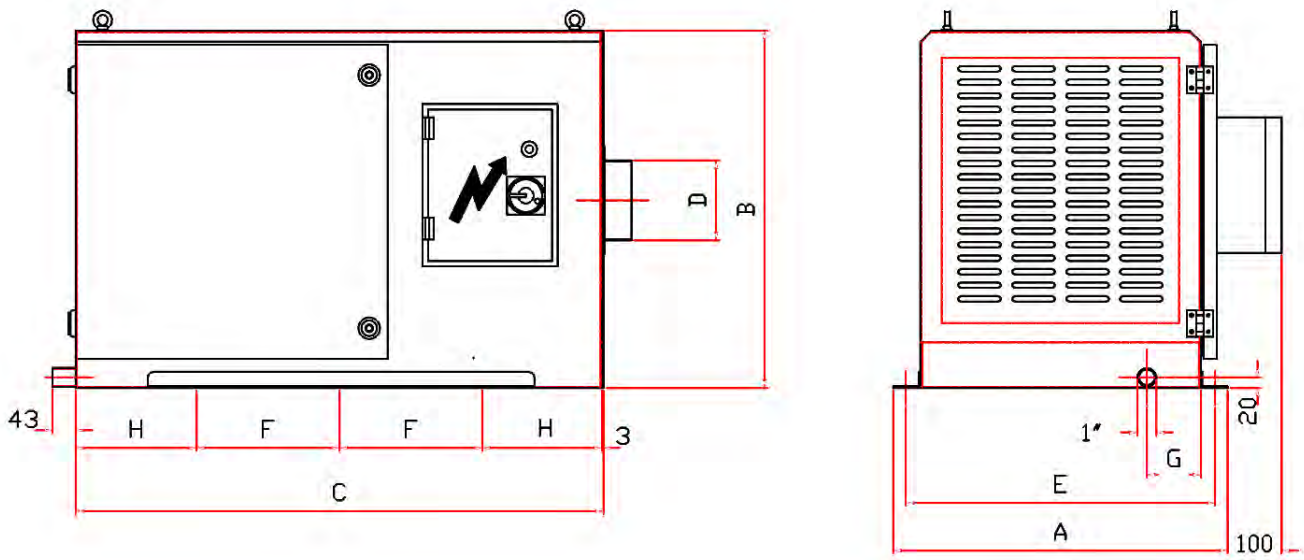


## Internal structure electrostatic mist collector EMC 500 -1000 - 2000



POS.	DESCRIPTION
1	Filters access hatch
2	Control panel
3	Suction inlet
4	High prevalence fan
5	“Self-cleaning” centrifugal system TCE (True Centrifugal Effect) – I. stage
6	SELF-BRAKING three-phase motor
7	Security contact filters access hatch
8	Polyurethane cell – II. stage
9	Synthetic corrugated cell – III. stage (except EMC 500)
10	<b>Electrostatic cell</b> – filtration level 99,98% for particles with dimensions $>0,1 \text{ mg/m}^3$ – IV. stage
11-A	Final safety filter with medium efficiency F9 –V. stage/A
11-B	Final absolute filter H13 HEPA – V. stage/B – <b>OPTIONAL</b> (as alternative)
12	Drainage sleeve $\varnothing$ 40 mm

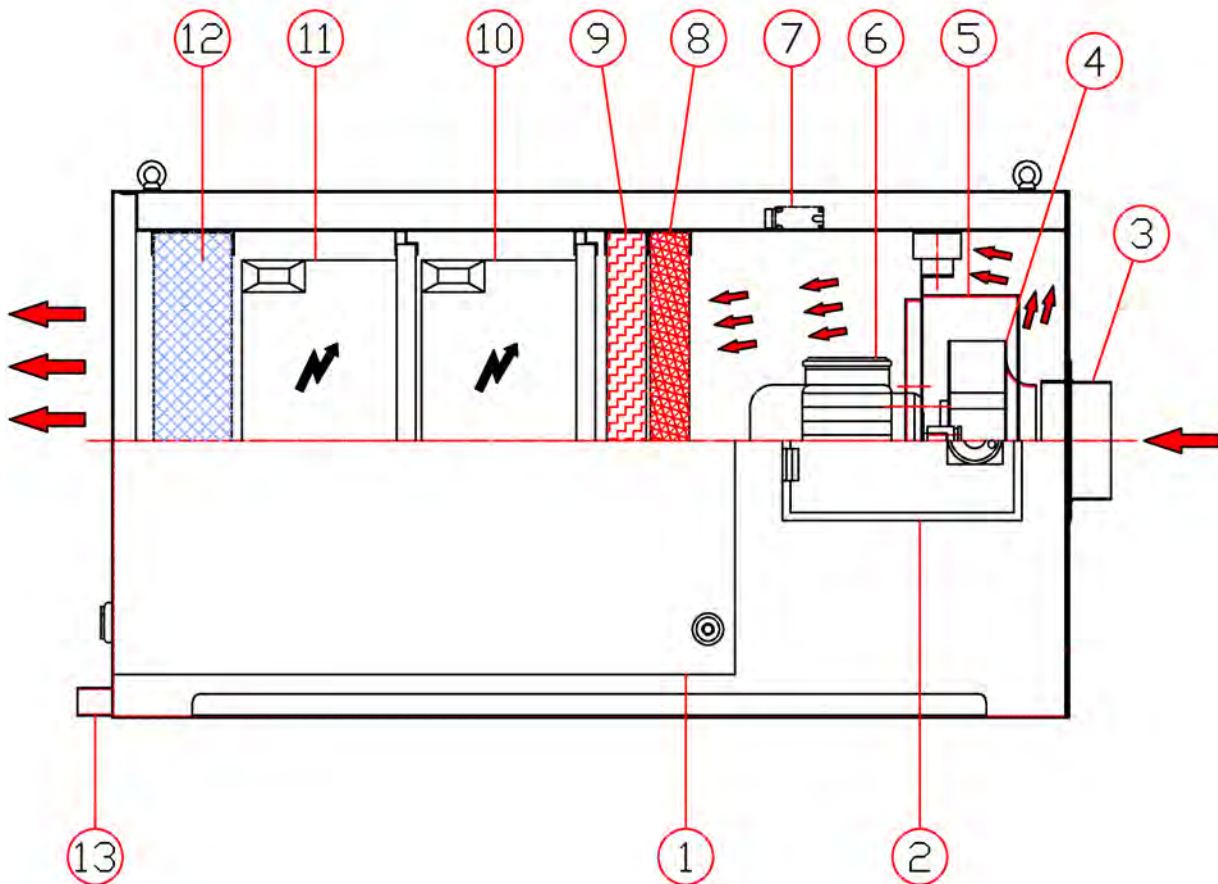
## Dimensions electrostatic mist collector EMC 500 - 1000 - 2000



MODEL	WEIGHT KG	A	B	C	D	E	F	G
EMC 500	100	410	660	925	∅ 125	434	265	100
EMC 1000	120	620	660	950	∅ 150	574	265	100
EMC 2000	130	652	710	978	∅ 200	676	290	100

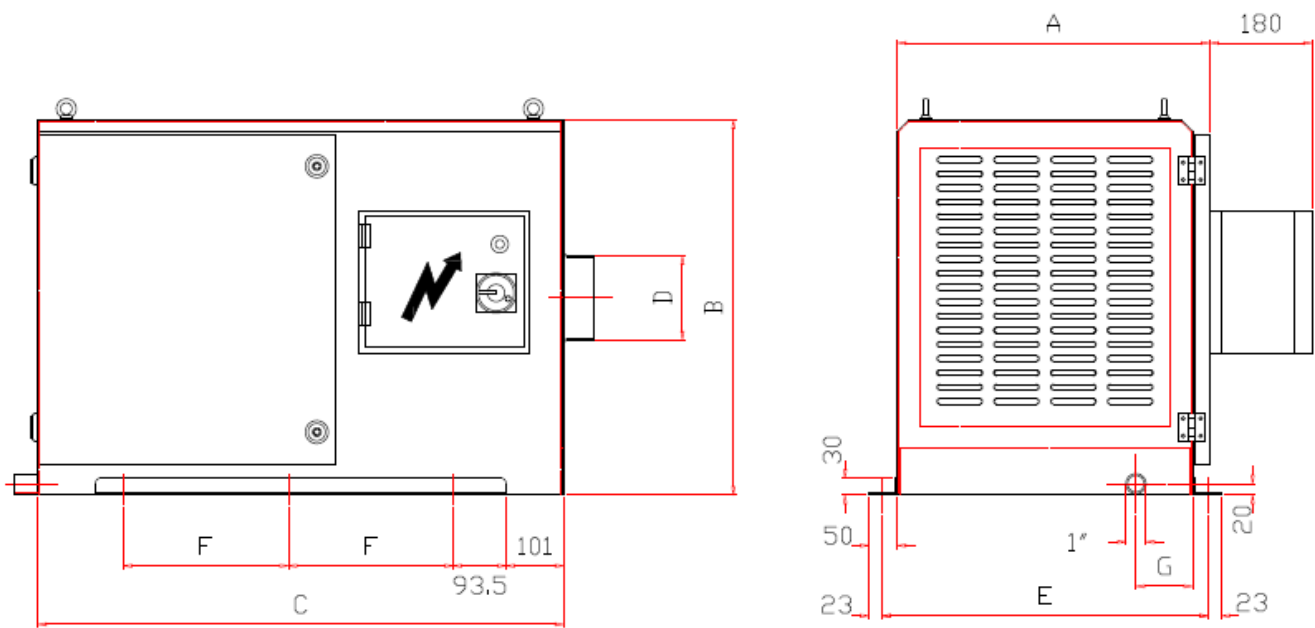
\*Dimensions expressed in millimeters. Data and characteristics can be modified without warning.

## Internal structure electrostatic mist collector Serie EMC 1501-2 / 2501-2



POS.	DESCRIPTION
1	Filters access hatch
2	Control panel
3	Suction inlet
4	High prevalence fan
5	"Self-cleaning" centrifugal system TCE (True Centrifugal Effect) – I. stage
6	SELF-BRAKING three-phase motor
7	Security contact filters access hatch
8	Polyurethane cell – II. stage
9	Synthetic corrugated cell – III. stage (except EMC 500)
10	<b>1<sup>st</sup> Electrostatic cell</b> – filtration level 99,98% for particles with dimensions $>0,1 \text{ mg/m}^3$ – IV. stage
11	<b>2<sup>nd</sup> Electrostatic cell</b> – filtration level 99,995% for particles with dimensions $>0,1 \text{ mg/m}^3$ – V. stage
12-A	Final safety filter with medium efficiency F9 – VI. stage/A
12-B	Final absolute filter H13 HEPA – VI. stage/B – <b>OPTIONAL</b> (as alternative)
13	Drainage sleeve $\varnothing 40 \text{ mm}$

## Dimensions electrostatic mist collector EMC 1501-2 / 2501-2



MODEL	WEIGHT KG	A	B	C	D	E	F	G
EMC 1501-2	170 - 185	620	660	1200	∅ 150	574	400	100
EMC 2501-2	200 - 215	652	710	1200	∅ 200	676	400	100

\*Dimensions expressed in millimeters. Data and characteristics can be modified without warning.